



Compression springs are open-coil helical springs wound or constructed to oppose compression along the axis of wind. Helical Compression Springs are the most common spring configuration. Generally, they are either placed over a rod or fitted inside a hole. When you put a load on a compression spring, making it shorter, it pushes back against the load and tries to get back to its original length. Compression springs offer resistance to linear compressing forces (push), and are in fact one of the most efficient energy storage devices.

Compression springs can be supplied with ground ends for improved squareness and reduced solid heights.

### Comprehensive Capabilities

#### Configurations:

- Cylindrical • Conical • Barrel • Hourglass
- Closed Ends • Open Ends • Reduced Ends
- Ground Ends • Unground Ends
- Constant Pitch • Variable Pitch

#### Secondaries:

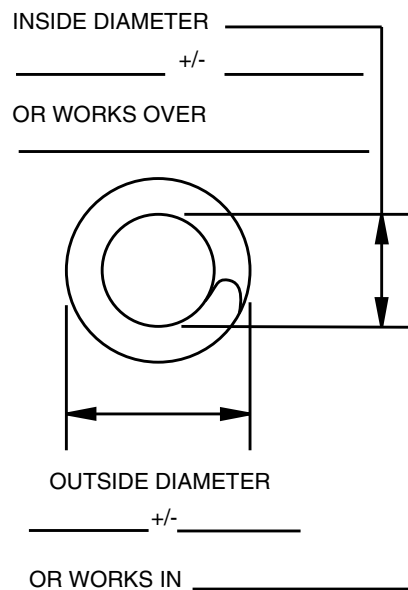
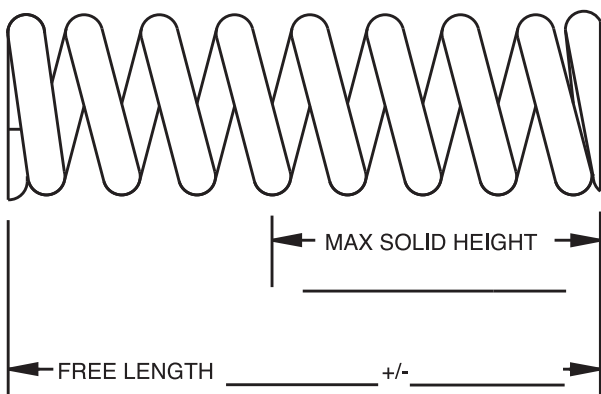
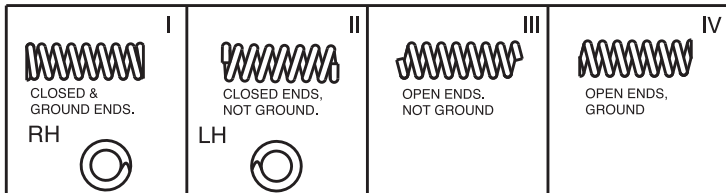
- Stress Relieve • Heat Treating • Passivation
- Shot Peening • Plating • Painting
- Powder Coating • Grinding

#### Wire sizes from .002" through .625"

#### Materials:

- Carbon Steels • Alloy Steels
- Stainless Steel 17-7, 302, 304 and 316
- Phosphor Bronze
- Hastelloy • Inconel 600, 718 and x750
- Beryllium Copper • Elgiloy<sup>®†</sup>

<sup>†</sup> Elgiloy is a trademark of Elgiloy Ltd. Partnership.



INDICATE UNITS OF MEASURE (IN. & LB.), (MM & KG)

1. MATERIAL \_\_\_\_\_
2. WIRE DIAMETER \_\_\_\_\_
3. DIRECTION OF WIND      OPT      LH      RH
4. STYLE OF END            I          II          III      IV
5. SQUARENESS \_\_\_\_\_
6. RATE \_\_\_\_ +/- \_\_\_\_ BETWEEN \_\_\_\_ & \_\_\_\_
7. LOAD 1      \_\_\_\_ +/- \_\_\_\_ @ \_\_\_\_
8. LOAD 2      \_\_\_\_ +/- \_\_\_\_ @ \_\_\_\_
9. NUMBER OF ACTIVE COILS \_\_\_\_\_
10. TOTAL NUMBER OF COILS \_\_\_\_\_
11. FINISH \_\_\_\_\_
12. FREQUENCY OF COMPRESSION  
       \_\_\_\_ CYCLES/SEC. AND WORKING RANGE  
       \_\_\_\_ IN. TO \_\_\_\_ IN. OF LENGTH
13. OPERATING TEMP. \_\_\_\_ °F
14. OTHER: \_\_\_\_\_  
       \_\_\_\_\_

COMPANY: \_\_\_\_\_

ADDRESS: \_\_\_\_\_  
 \_\_\_\_\_

CITY: \_\_\_\_\_

STATE: \_\_\_\_\_ ZIP: \_\_\_\_\_

CONTACT: \_\_\_\_\_

PHONE: \_\_\_\_\_

FAX: \_\_\_\_\_

EMAIL: \_\_\_\_\_

QUANTITIES TO BE QUOTED: \_\_\_\_\_

END USE OR APPLICATION: \_\_\_\_\_  
 \_\_\_\_\_  
 \_\_\_\_\_