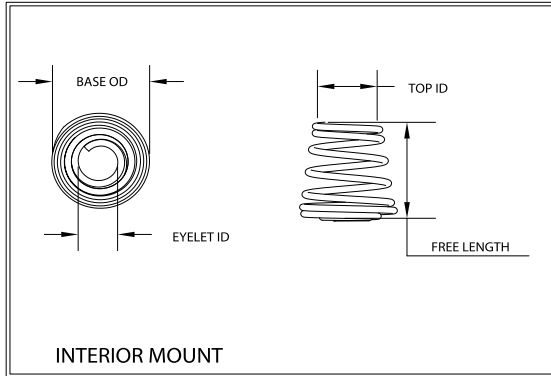


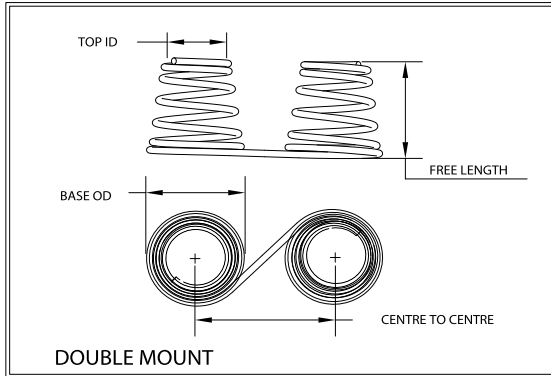
BATTERY SPRINGS SPECIFICATION FORM

Battery springs can be configured to meet custom specifications and materials. When designing Battery springs, determine contact location based on the American National Standards Institute's and IEC standard dimensions. Refer to ANSI Standard C18 and International Electrotechnical Commission IEC86.

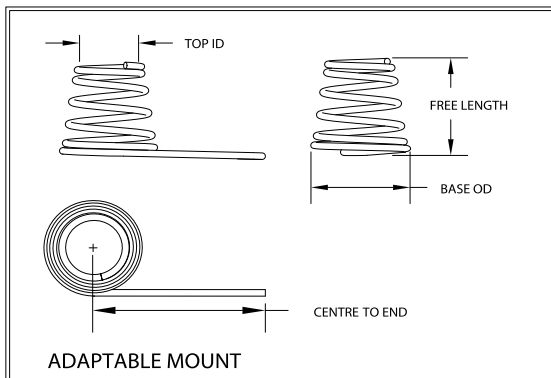
SPRING TYPE (I)



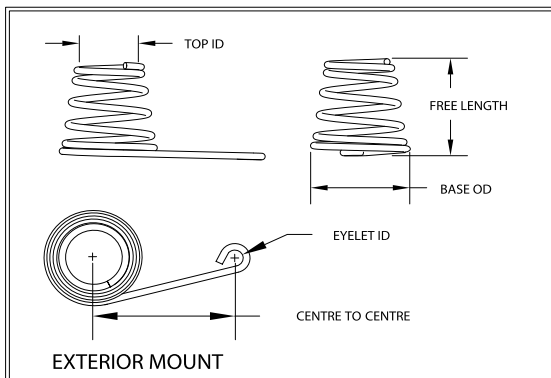
SPRING TYPE (II)



SPRING TYPE (III)



SPRING TYPE (IV)



INDICATE UNITS OF MEASURE (IN & LB), (MM & N)

1. SPRING TYPE I II III IV

2. BATTERY TYPE AA AAA C D

3. MATERIAL _____

4. WIRE DIAMETER _____

5. BASE OD _____ +/- _____

6. TOP ID _____ +/- _____

7. FREE LENGTH _____ +/- _____

8. CENTRE TO CENTRE/END _____ +/- _____

9. EYELET ID _____ +/- _____

10. NUMBER OF ACTIVE COILS _____

11. TOTAL NUMBER OF COILS _____

12. APPROX LOAD _____ @ _____

13. FINISH _____

QUANTITY TO QUOTE FOR _____

CUSTOMER NAME:	A/C No:	ENQUIRY TAKEN BY:
CUSTOMER CONTACT		DATE TO SUPPLIER:
TEL No:	EMAIL:	DATE PRICE RECEIVED: